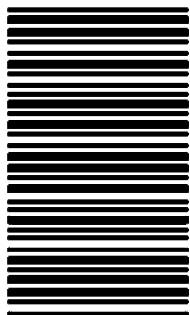


کد کنترل

148

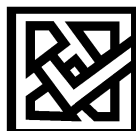
A



148A

صبح جمعه

۱۴۰۲/۱۲/۰۴



جمهوری اسلامی ایران
وزارت علوم، تحقیقات و فناوری
سازمان سنجش آموزش کشور

«در زمینه مسائل علمی، باید دنبال قله بود.»
مقام معظم رهبری

آزمون ورودی دوره‌های کارشناسی ارشد ناپیوسته داخل - سال ۱۴۰۳

مهندسی مکانیک بیوسیستم (کد ۱۳۱۹)

مدت زمان پاسخگویی: ۱۵۵ دقیقه

تعداد سؤال: ۱۴۵

عنوان مواد امتحانی، تعداد و شماره سؤال‌ها

ردیف	مواد امتحانی	تعداد سؤال	از شماره	تا شماره
۱	زبان عمومی و تخصصی (انگلیسی)	۲۵	۱	۲۵
۲	ریاضیات	۲۵	۲۶	۵۰
۳	استاتیک، دینامیک و مقاومت مصالح	۲۵	۵۱	۷۵
۴	طراحی اجزای ماشین و طراحی ماشین‌های کشاورزی	۲۵	۷۶	۱۰۰
۵	مکانیک سیالات و ترمودینامیک	۲۵	۱۰۱	۱۲۵
۶	ابزار اندازه‌گیری	۲۰	۱۲۶	۱۴۵

این آزمون، نمره منفی دارد.

استفاده از ماشین حساب مجاز نیست.

حق چاپ، تکثیر و انتشار سؤالات به هر روش (الکترونیکی و ...) پس از برگزاری آزمون، برای تمامی اشخاص حقیقی و حقوقی تنها با مجوز این سازمان مجاز می‌باشد و با متخلفین برابر مقررات رفتار می‌شود.

purpose. Wealthy families (9) private tutors to teach their children at home, while less well-off children were taught in groups. Teaching conditions for teachers could differ greatly. Tutors who taught in a wealthy family did so in comfort and with facilities; (10) been brought to Rome as slaves, and they may have been highly educated.

- 8- 1) which depending 2) and depended
3) for depended 4) that depended
- 9- 1) have employed 2) employed
3) were employed 4) employing
- 10- 1) some of these tutors could have 2) because of these tutors who have
3) that some of them could have 4) some of they should have

PART C: Reading Comprehension

Directions: Read the following three passages and answer the questions by choosing the best choice (1), (2), (3), or (4). Then mark the correct choice on your answer sheet.

PASSAGE 1:

Biodiversity refers to the vast array of species and ecosystems on Earth, which are essential for maintaining a healthy and balanced environment. It is crucial for human survival, as it provides us with essential resources, such as food, water, and medicines, as well as ecosystem services, such as pollination, nutrient cycling, and flood control. However, it is under threat due to various factors. The loss of biodiversity can have several negative consequences, such as the extinction of species, disruption of ecosystems, and reduced human well-being. Efforts to conserve biodiversity are essential for ensuring the long-term sustainability of our planet and the welfare of future generations. Some potential strategies for biodiversity conservation include the establishment of protected areas, the promotion of sustainable agriculture practices, and the implementation of effective environmental policies. Habitat loss is the most significant factor contributing to the decline in biodiversity. Deforestation, urbanization, and agricultural expansion often lead to the destruction or degradation of natural habitats, making it difficult for species to survive. Climate change is another threat to biodiversity, as it can indirectly contribute to habitat loss and degradation. Overexploitation of resources, such as excessive logging, fishing, or mining, can also lead to a decline in biodiversity by depleting essential habitats and resources for species. Pollution, both air and water, can contaminate ecosystems and negatively impact the health of species.

- 11- **What is the primary reason for the decline in biodiversity?**
1) Climate change 2) Habitat loss
3) Overexploitation of resources 4) Pollution
- 12- **Which of the following is NOT a consequence of biodiversity loss?**
1) Extinction of species
2) Disruption of ecosystems
3) Reduced human well-being
4) Increased availability of natural resources

- 13- **What is the relationship between biodiversity and ecosystem services?**
- 1) Biodiversity provides essential ecosystem services, such as pollination and nutrient cycling.
 - 2) Biodiversity has no impact on ecosystem services.
 - 3) Ecosystem services depend on biodiversity.
 - 4) There is no relationship between biodiversity and ecosystem services.
- 14- **What is the role of climate change in biodiversity loss?**
- 1) It can indirectly contribute to habitat loss and degradation.
 - 2) It can directly cause the extinction of species.
 - 3) It can disrupt the balance of ecosystems.
 - 4) All of the above
- 15- **The word 'it' in the passage (underlined) refers to**
- 1) environment
 - 2) Earth
 - 3) biodiversity
 - 4) flood control

PASSAGE 2:

Biosystem mechanics is a field of study that applies mathematical modeling to understand the mechanical behavior of biological systems. This field has gained significant attention in recent years due to its potential to provide insights into the functioning of biological systems at various levels of organization, from the molecular to the organismal level. Biosystem mechanics is an interdisciplinary field that combines principles from physics, mathematics, and biology to understand the mechanical behavior of biological systems. The field has its roots in biomechanics, which is the study of the mechanical properties of biological tissues and organs. However, biosystem mechanics goes beyond biomechanics by incorporating mathematical modeling to understand the underlying mechanisms that govern the behavior of biological systems. Mathematical modeling is a powerful tool that allows researchers to simulate the behavior of biological systems under different conditions. The models can be used to predict the response of the system to external stimuli, such as changes in temperature, pressure, or chemical composition. Mathematical models can also be used to test hypotheses about the underlying mechanisms that govern the behavior of biological systems. One of the key challenges in biosystem mechanics is to develop accurate mathematical models that capture the complexity of biological systems. Biological systems are highly complex, and their behavior is often nonlinear and difficult to predict. Therefore, mathematical models must be carefully designed to capture the essential features of the system while minimizing the complexity of the model. Biosystem mechanics has numerous applications in agriculture, ranging from the design of agricultural machinery to the optimization of crop growth. One of the key areas of research in biosystem mechanics is the study of plant biomechanics. Plants are complex biological systems that exhibit a wide range of mechanical behaviors, from the bending of stems and leaves to the growth of roots and shoots. Mathematical models can be used to simulate the mechanical behavior of plants under different conditions, such as changes in soil moisture, temperature, and light intensity. These models can be used to optimize the growth of crops by predicting the response of plants to different environmental conditions. For example, mathematical models can be used to optimize irrigation schedules to minimize water usage while maximizing crop yield. Another area of research in biosystem mechanics is the design of agricultural machinery. Agricultural machinery must be designed to operate in a

wide range of environmental conditions, from the hot and dry conditions of the desert to the cold and wet conditions of the rainforest. Mathematical models can be used to simulate the behavior of agricultural machinery under different conditions, such as changes in soil type, slope, and moisture content. They can be utilized to optimize the design of agricultural machinery to improve its performance and reduce its environmental impact.

16- What is biosystem mechanics?

- 1) The study of the mechanical properties of biological tissues and organs
- 2) An interdisciplinary field that combines principles from physics, mathematics, and biology to understand the mechanical behavior of biological systems
- 3) The study of the mechanical behavior of plants under different environmental conditions
- 4) The design of agricultural machinery to operate in a wide range of environmental conditions

17- What is the key challenge in developing mathematical models for biological systems?

- 1) Capturing the essential features of the system while minimizing the complexity of the model
- 2) Predicting the response of the system to external stimuli
- 3) Testing hypotheses about the underlying mechanisms that govern the behavior of biological systems
- 4) Simulating the behavior of biological systems under different conditions

18- What is the role of mathematical models in biosystem mechanics?

- 1) To capture the essential features of the system while minimizing the complexity of the model
- 2) To predict the response of the system to external stimuli
- 3) To test hypotheses about the underlying mechanisms that govern the behavior of biological systems
- 4) All of the above

19- What is the difference between biosystem mechanics and biomechanics?

- 1) Biosystem mechanics incorporates mathematical modeling, while biomechanics is the study of the mechanical properties of biological tissues and organs.
- 2) Biosystem mechanics is the study of the mechanical properties of biological tissues and organs, while biomechanics is the study of the mechanical behavior of biological systems.
- 3) Biomechanics and biosystem mechanics are the same.
- 4) Biomechanics has its roots in biosystem mechanics, but they are extremely different.

20- The word 'they' in the passage (underlined) refers to

- 1) schedules
- 2) conditions
- 3) models
- 4) changes

PASSAGE 3:

Biosystem mechanics has a wide range of applications in biology, medicine, and engineering. Tissue engineering is a field that aims to create functional tissues and organs for transplantation. Biosystem mechanics plays an important role in tissue engineering by providing insights into the mechanical behavior of biological

systems. Researchers can use biosystem mechanics to design scaffolds that mimic the mechanical properties of natural tissues, which can promote tissue growth and regeneration. Biosystem mechanics can also be used to design drug delivery systems that can target specific tissues or cells. For example, researchers can use microfluidic devices to study the mechanical behavior of cells and tissues, which can help them design drug delivery systems that can penetrate specific tissues or cells. Biosystem mechanics is also important for the design of medical devices, such as prosthetics and implants. Understanding the mechanical behavior of biological systems can help researchers design devices that are compatible with the body and can function properly. For example, they can use biosystem mechanics to design prosthetic limbs that mimic the mechanical behavior of natural limbs, which can improve their functionality and comfort. Biosystem mechanics is a rapidly evolving field, and there are many exciting directions for future research. Computational modeling is an important tool for biosystem mechanics' research. Advances in computational modeling have enabled researchers to simulate the mechanical behavior of biological systems at different scales, from the molecular level to the organism level. Biosystem mechanics research often involves analyzing biological systems at multiple scales, from the molecular level to the organism level. Multiscale analysis is important for understanding the mechanical behavior of biological systems, but it can be challenging due to the complexity of the systems. Future research in biosystem mechanics will likely focus on developing new techniques for multiscale analysis that can provide more detailed insights into biological systems.

21- How does biosystem mechanics contribute to the design of medical devices, such as prosthetics and implants?

- 1) By developing computational models
- 2) By simulating the mechanical behavior of natural tissues
- 3) By designing drug delivery systems
- 4) By understanding the mechanical behavior of biological systems

22- What is the role of computational modeling in biosystem mechanics research?

- 1) It enables researchers to simulate the mechanical behavior of biological systems at different scales.
- 2) It helps design drug delivery systems.
- 3) It is used for multiscale analysis.
- 4) It focuses on the development of more accurate and efficient computational models.

23- What will be the focus of biosystem mechanics research in future?

- | | |
|---------------------------|--------------------------|
| 1) Computational modeling | 2) Multiscale analysis |
| 3) Tissue engineering | 4) Medical device design |

24- What is the main challenge in multiscale analysis in biosystem mechanics research?

- | | |
|---------------------|-------------------------------------|
| 1) Data integration | 2) Scale mismatch |
| 3) Limited funding | 4) Complexity of biological systems |

25- The word 'they' in the passage (underlined) refers to

- | | |
|----------------|-------------|
| 1) researchers | 2) systems |
| 3) devices | 4) implants |

ریاضیات:

۲۶- برد تابع $f(x) = \frac{(x^2 + 1)}{(x^3 - 1)}$ کدام مورد است؟

(۱) \mathbb{R}

(۲) $\mathbb{R} - [-1, 1]$

(۳) $\mathbb{R} - (-1, \infty)$

(۴) $\mathbb{R} - (1, \infty)$

۲۷- حاصل عبارت روبه‌رو، کدام مورد است؟

$$a + ar + ar^2 + ar^3 + \dots + ar^{n-1} = ?$$

(۱) $\frac{a(1 - r^n)}{(1 + r)}$

(۲) $\frac{a(1 - r^{(n-1)})}{(1 - r)}$

(۳) $\frac{a(1 - r^n)}{(1 - r)}$

(۴) $\frac{a(1 - r^{(n-1)})}{(1 + r)}$

۲۸- کدام مورد با توجه به قاعده زنجیره‌ای در انتگرال‌گیری، برابر $\int u v dx$ است؟

(۱) $(\int u dx)v - (\iint u dx) \frac{dv}{dx} dx$

(۲) $(\int u dx)(\int v dx) - \int (\int v dx) \frac{dv}{dx} dx$

(۳) $(\int u dx)v - \int (\int u dx) \frac{dv}{dx} dx$

(۴) $(\int u dx)(\int v dx) - (\iint u dx) \frac{dv}{dx} dx$

۲۹- کدام مورد، برابر با e^x است؟

(۱) $e^{x+2\pi ki}$, $k = 0, 1, 2, \dots$

(۲) $e^{x+2\pi k}$, $k = 0, 1, 2, \dots$

(۳) $e^{x+\pi ki}$, $k = 0, 1, 2, \dots$

(۴) $e^{x+\pi k}$, $k = 0, 1, 2, \dots$

۳۰- اگر $f(x) = \ln(x) \cdot e^x$ باشد. حاصل $f(x)'$ کدام مورد است؟

(۱) $\ln(x)(e^x + 1)$

(۲) $e^x(\ln(x) + 1)$

(۳) $\ln(x)(e^x + \frac{1}{x})$

(۴) $e^x(\ln(x) + \frac{1}{x})$

۳۱- دامنه تابع $f(x) = \log_{x-1} \frac{x-4}{x-2}$ ، کدام است؟

(۱) $[5, +\infty)$

(۲) $(1, 2) \cup (5, +\infty)$

(۳) $(-\infty, +5)$

(۴) $(-\infty, +5]$

۳۲- کدام مورد برابر با معادله روبه‌رو است؟

$$\sin^2(x) - 2\cos^2(x) \sin^2(x) + \cos^4(x)$$

(۱) $\frac{\cos(4x) - 1}{2}$

(۲) $\frac{\cos(4x) + 1}{2}$

(۳) $\frac{\sin(4x) - 1}{2}$

(۴) $\frac{\sin(4x) + 1}{2}$

۳۳- مقدار حد روبه‌رو، برابر کدام مورد است؟

$$\lim_{x \rightarrow \infty} (x^{-\alpha} \ln(x)) = ?$$

(۱) مبهم

(۲) ∞

(۳) صفر

(۴) ۱

۳۴- حاصل انتگرال روبه‌رو، کدام مورد است؟

$$\int \frac{dx}{(a+bx)(c+dx)} = ?$$

(۱) $\frac{1}{ad-bc} \ln \left| \frac{c+dx}{a+bx} \right|$

(۲) $\frac{1}{ad+bc} \ln \left| \frac{c+dx}{a+bx} \right|$

(۳) $\frac{1}{ad-bc} \ln \left| \frac{c-dx}{a+bx} \right|$

(۴) $\frac{1}{ad-bc} \ln \left| \frac{c+dx}{a-bx} \right|$

۳۵- مشتق مرتبه دهم، تابع $f(x) = \ln\left(1 + \frac{x}{4}\right)^2$ ، به‌ازای $x = -3$ کدام است؟

(۱) $\frac{10!}{2}$

(۲) $-2(9!)$

(۳) $-(10!)$

(۴) $2(9!)$

۳۶- برای ماتریس $A = \begin{bmatrix} 0 & x \\ x & 0 \end{bmatrix}$ ، کدام رابطه صحیح است؟

$$A^{2k} = \begin{bmatrix} 0 & x^{2k} \\ x^{2k} & 0 \end{bmatrix} \quad (1)$$

$$A^{2k} = \begin{bmatrix} 0 & x^{2k-1} \\ x^{2k-1} & 0 \end{bmatrix} \quad (2)$$

$$A^{2k} = \begin{bmatrix} x^{2k} & 0 \\ 0 & x^{2k} \end{bmatrix} \quad (3)$$

$$A^{2k} = \begin{bmatrix} x^{2k-1} & 0 \\ 0 & x^{2k-1} \end{bmatrix} \quad (4)$$

۳۷- اگر $A_{n \times n}$ و $B_{n \times n}$ متقارن باشند، نوع ماتریس‌های زیر کدام موارد هستند؟

$$A+B, \quad A \times B \times A, \quad A \times B - B \times A$$

(۱) متقارن، پادمتقارن و متقارن

(۲) متقارن، متقارن و متقارن

(۳) پادمتقارن، پادمتقارن و پادمتقارن

۳۸- دترمینان ماتریس $A = \begin{bmatrix} -1 & 6 & 3 & 10 \\ 5 & 6 & 7 & -1 \\ -1 & 2 & 0 & 3 \\ 1 & 2 & 3 & 4 \end{bmatrix}$ ، کدام مورد است؟

(۱) صفر

(۲) ۱

(۳) -۱

(۴) ۲

۳۹- پاسخ حل معادله روبه‌رو، کدام مورد است؟ $\{(x = ?, y = ?, z = ?)\}$

$$\begin{cases} x+y+z-1=0 \\ x+y+2z-3=0 \end{cases}$$

(۱) $\{(-y+1, y, 2)\}$

(۲) $\{(-y-1, y, 2)\}$

(۳) $\{(y-1, y, 2)\}$

(۴) $\{(y+1, y, 2)\}$

۴۰- همسازه، برای عنصر سطر دوم و ستون اول، ماتریس $\begin{bmatrix} 1 & 2 & 3 \\ 4 & 5 & 6 \\ 7 & 8 & 9 \end{bmatrix}$ کدام مورد است؟

(۱) ۵

(۲) -۶

(۳) ۶

(۴) -۵

۴۱- اگر زاویه بین دو بردار \vec{a} و \vec{b} ، برابر با 60° درجه باشد و $\vec{c} = \frac{\vec{a}}{|\vec{a}|} + \frac{\vec{b}}{|\vec{b}|}$ ، آنگاه زاویه بین دو بردار \vec{a} و \vec{c} چقدر است؟

(۱) 30° (۲) 45° (۳) 60° (۴) 90°

۴۲- به‌ازای کدام مقدار k ، سه بردار $a(0, 3, 0)$ ، $b(1, 1, 2)$ و $c(k, 1, 1)$ ، وابسته خطی هستند؟

(۱) ۱

(۲) $0/5$

(۳) صفر

(۴) ۲

۴۳- مقادیر ویژه ماتریس $\begin{bmatrix} -1 & 1 & 0 \\ 0 & 0 & 2 \\ 0 & 2 & -3 \end{bmatrix}$ ، کدام موارد هستند؟

(۱) ۱، ۴، ۱

(۲) -۱، -۴، -۱

(۳) -۱، ۴، ۱

(۴) -۱، -۴، ۱

۴۴- بردار سرعت متحرکی در مختصات قطبی به‌صورت $\vec{v} = \frac{dr}{dt} \vec{u}_r + r \frac{d\theta}{dt} \vec{u}_\theta$ است. مؤلفه شتاب آن در امتداد شعاع حامل قطبی کدام است؟

$$\frac{d^2 r}{dt^2} + r \left(\frac{d\theta}{dt} \right)^2 \quad (1)$$

$$\frac{d^2 r}{dt^2} + \frac{dr}{dt} \quad (2)$$

$$\frac{d^2 r}{dt^2} \quad (3)$$

$$\frac{d^2 r}{dt^2} - r \left(\frac{d\theta}{dt} \right)^2 \quad (4)$$

۴۵- جواب عمومی معادله دیفرانسیل $y \sin^{-1}(x) dx = \sqrt{1-x^2} \ln y dy$ ، کدام مورد است؟

$$(\sin^{-1}(x)) - (\ln y) = c \quad (1)$$

$$(\sin^{-1}(x))^2 + (\ln y)^2 = c \quad (2)$$

$$(\sin^{-1}(x))^2 - (\ln y)^2 = c \quad (3)$$

$$(\sin^{-1}(x)) + (\ln y) = c \quad (4)$$

۴۶- جواب معادله، $2y(x^2 + y^2) dy + y dx = 0$ ، کدام مورد است؟

$$(x^2 + y^2)y^2 = c \quad (1)$$

$$(x^2 + y^2)e^{2y^2} = c \quad (2)$$

$$(x^2 + y^2)e^{y^2} = c \quad (3)$$

$$(x^2 + y^2)e^{-2y^2} = c \quad (4)$$

۴۷- کدام مورد، قضیه تبدیل لاپلاس انتگرال‌های یک تابع را بیان می‌کند؟ $L\{f(t)\} = F(s)$

$$L\left\{\int_0^t f(u) du\right\} = \frac{1}{s}F(s) \quad (1)$$

$$L\left\{\int_0^\infty f(u) du\right\} = \frac{1}{s}F(s-a) \quad (2)$$

$$L\left\{\int_0^t f(u) du\right\} = \frac{1}{s}F(s-a) \quad (3)$$

$$L\left\{\int_0^\infty f(u) du\right\} = \frac{1}{s}F(s) \quad (4)$$

۴۸- اگر $s > 0$ باشد، حاصل تبدیل لاپلاس $f(t) = u(t-a)$ ، کدام است؟

$$ae^{-as} \quad (1)$$

$$\frac{ae^{-as}}{s} \quad (2)$$

$$\frac{e^{-as}}{a} \quad (3)$$

$$\frac{e^{-as}}{s} \quad (4)$$

۴۹- کدام مورد، معادل با تبدیل لاپلاس مشتق مرتبه سوم، یک تابع است؟ $(L(f'''(t)) = ?)$

$$s^3 F(s) - s^2 f(0) + sf'(0) - f''(0) \quad (1)$$

$$s^3 F(s) - s^2 f(0) - sf'(0) - f''(0) \quad (2)$$

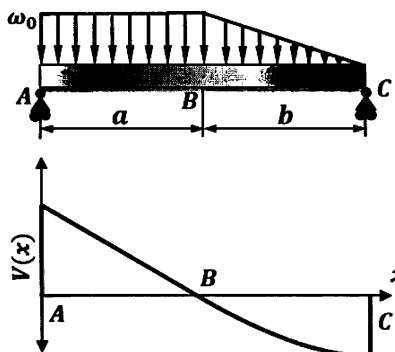
$$s^3 F(s) - sf(0) - f'(0) \quad (3)$$

$$s^3 F(s) + sf(0) - f'(0) \quad (4)$$

۵۰- به ازای چه مقادیری از a دستگاه زیر، بی‌نهایت جواب دارد؟

$$\begin{cases} x - 2y + az = 0 \\ 3x - 2y + 2z = 0 \\ 6x - 4y + 5z = 0 \end{cases} \quad \begin{matrix} +1 \quad (1) \\ -\frac{1}{2} \quad (2) \\ +\frac{1}{2} \quad (3) \\ -1 \quad (4) \end{matrix}$$

۵۱- نحوه توزیع بار و نمودار نیروی برشی تیری، مطابق شکل روبه‌رو است، برای این بارگذاری نسبت $\frac{RA}{RC}$ کدام



مورد خواهد بود؟

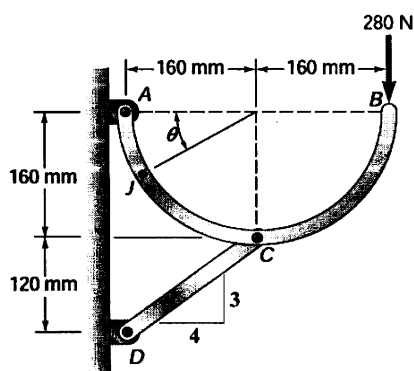
(۱) $\frac{b}{2a}$

(۲) $\frac{2a}{b}$

(۳) $\frac{a}{2b}$

(۴) $\frac{a}{b}$

۵۲- مؤلفه افقی عکس‌العمل تکیه‌گاه A در بارگذاری روبه‌رو چند نیوتن است؟



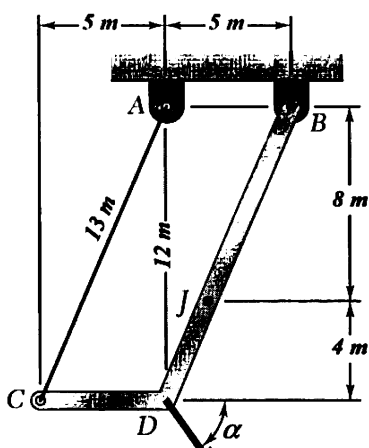
(۱) ۲۴۰

(۲) ۳۰۰

(۳) ۳۲۰

(۴) ۴۰۰

۵۳- اگر مقدار α در بارگذاری روبه‌رو صفر درجه باشد، مقدار گشتاور وارده به تیر در نقطه J، چند کیلونیوتن متر است؟



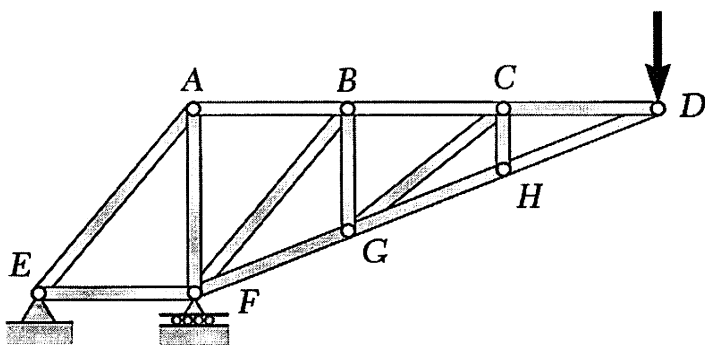
(۱) ۳۶۰

(۲) ۴۰۰

(۳) ۴۸۰

(۴) ۵۲۰

۵۴- چند عضو در خرپای زیر تحت فشار هستند؟



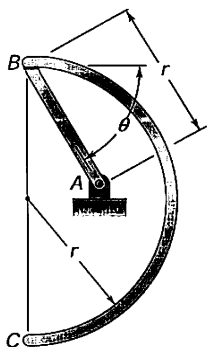
(۱) ۲

(۲) ۳

(۳) ۴

(۴) ۵

۵۵- در اتصال روبه‌رو طول میله AB برابر شعاع نیم‌دایره BC است و در نقطه B به هم جوش داده شده است. اگر چگالی میله AB دو برابر چگالی میله BC باشد، $\cos \theta$ چقدر باشد تا اتصال به‌صورت روبه‌رو باقی بماند (خط BC عمود باقی بماند)؟



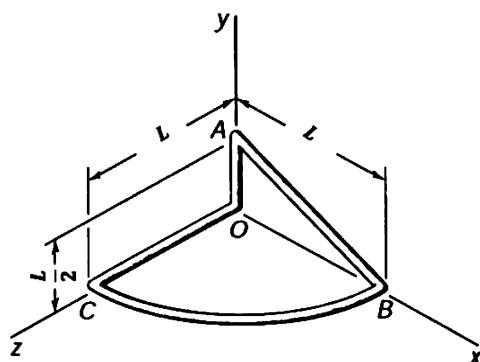
$$\frac{1}{2-\pi} \quad (1)$$

$$\frac{2}{1+\pi} \quad (2)$$

$$\frac{1}{2+\pi} \quad (3)$$

$$\frac{2}{1-\pi} \quad (4)$$

۵۶- فاصله مرکز ثقل (\bar{z}) از صفحه xy کدام مورد است؟



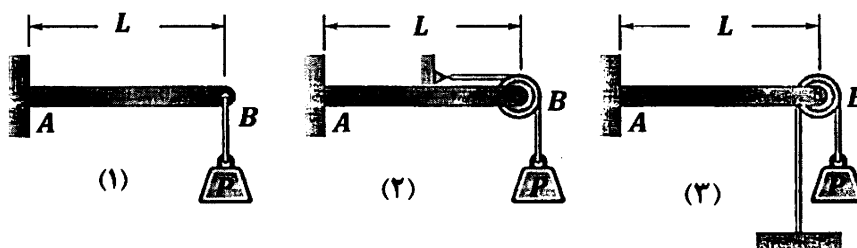
$$\frac{3L}{2\pi-5} \quad (1)$$

$$\frac{2L}{2\pi+3-\sqrt{5}} \quad (2)$$

$$\frac{3L}{\pi+3+\sqrt{5}} \quad (3)$$

$$\frac{2L}{\pi+5} \quad (4)$$

۵۷- کدام مورد در خصوص نیروی عکس‌العمل A در سه حالت بارگذاری نشان داده‌شده در شکل‌های ۱ تا ۳ درست است؟



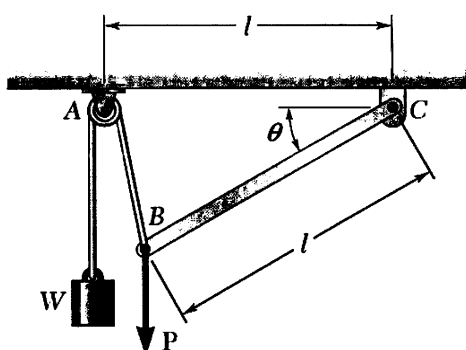
$$R_{A1} > R_{A2} > R_{A3} \quad (2)$$

$$R_{A1} < R_{A2} = R_{A3} \quad (4)$$

$$R_{A1} < R_{A2} < R_{A3} \quad (1)$$

$$R_{A1} < R_{A2} < R_{A3} \quad (3)$$

۵۸- مقدار نیروی P در بارگذاری شکل روبه‌رو چند برابر W است؟



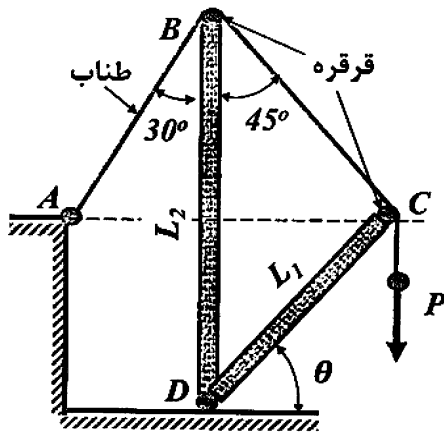
$$\frac{\cos \frac{\theta}{2}}{\cos \theta + 1} \quad (2)$$

$$\frac{\cos \frac{\theta}{2}}{\cos \theta} \quad (4)$$

$$\frac{2 \cos \frac{\theta}{2}}{\cos \theta - 1} \quad (1)$$

$$\frac{2 \cos \frac{\theta}{2} - 1}{\cos \frac{\theta}{2}} \quad (3)$$

۵۹- برای مکانیزم نشان داده شده جنس و سطح مقطع میله‌های BD و CD یکسان می‌باشد و نیروی P به انتهای طناب ABC وارد شده است. نسبت تغییر طول میله BD به CD چند برابر نسبت $\frac{L_2}{L_1}$ است؟



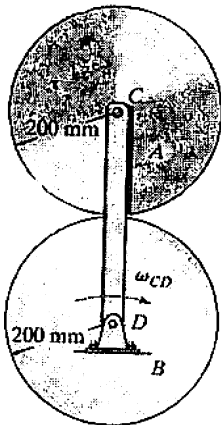
$$\frac{(\sqrt{2} + \sqrt{3}) \cos \theta}{\sqrt{2}} \quad (1)$$

$$\frac{\sqrt{2} \cos \theta}{\sqrt{3}} \quad (2)$$

$$\frac{\sqrt{2} + \sqrt{3}}{\sqrt{2} \cos \theta} \quad (3)$$

$$\frac{\sqrt{3}}{\sqrt{2} \cos \theta} \quad (4)$$

۶۰- استوانه A روی استوانه ثابت B بدون لغزش می‌غلتد. اگر میله CD با یک سرعت زاویه‌ای ثابت $\omega_{CD} = 3 \frac{\text{rad}}{\text{s}}$ در جهت عقربه‌های ساعت بچرخد. سرعت زاویه‌ای استوانه A چقدر است؟



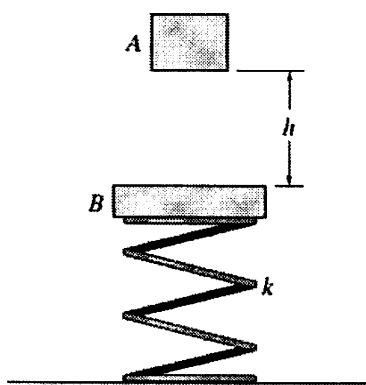
$$\text{در خلاف جهت عقربه‌های ساعت} \quad 3 \frac{\text{rad}}{\text{s}} \quad (1)$$

$$\text{در جهت عقربه‌های ساعت} \quad 6 \frac{\text{rad}}{\text{s}} \quad (2)$$

$$\text{در خلاف جهت عقربه‌های ساعت} \quad 6 \frac{\text{rad}}{\text{s}} \quad (3)$$

$$\text{در جهت عقربه‌های ساعت} \quad 3 \frac{\text{rad}}{\text{s}} \quad (4)$$

۶۱- بلوک A به جرم m از حالت سکون رها می‌شود و به صفحه B که دارای جرم $2m$ است برخورد می‌کند. اگر ضریب بازگشت بین A و B برابر e باشد، سرعت صفحه B درست پس از برخورد چقدر است؟



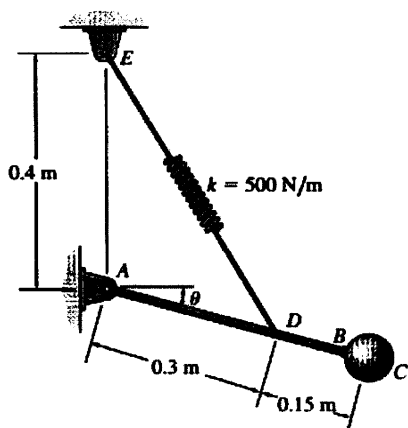
$$V_{B\gamma} = \sqrt{2gh} (1-e) \quad (1)$$

$$V_{B\gamma} = \frac{\sqrt{2gh} (1+e)}{3} \quad (2)$$

$$V_{B\gamma} = \sqrt{2gh} (1+e) \quad (3)$$

$$V_{B\gamma} = \sqrt{2gh} \quad (4)$$

۶۲- کره ۱۰ کیلوگرمی C در $\theta = 0$ در حال سکون بوده و طول آزاد فنر ۰/۳ متر است. سرعت کره در $\theta = 90^\circ$



در چه چند متر بر ثانیه است؟ ($g = 10 \frac{m}{s}$)

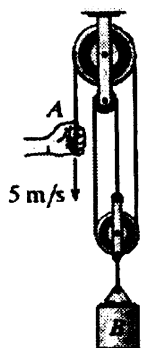
(۱) $\sqrt{3}$

(۲) ۳

(۳) ۲

(۴) $\sqrt{2}$

۶۳- اگر انتهای کابل در نقطه A با سرعت $5 \frac{m}{s}$ به طرف پایین کشیده شود، سرعت بلوک B چند متر بر ثانیه و در



کدام جهت است؟

(۱) ۵، به طرف پایین

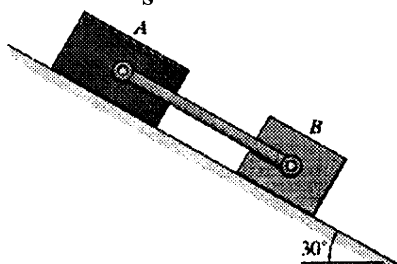
(۲) ۵، به طرف بالا

(۳) ۱/۶۷، به طرف بالا

(۴) ۱/۶۷، به طرف پایین

۶۴- در شکل زیر اگر بلوک‌های A و B به ترتیب به جرم‌های ۱۰ و ۶ کیلوگرم روی سطح شیب‌دار بدون اصطکاک رها

شوند، نیروی به وجود آمده در میله واسط چند نیوتن است؟ از جرم میله واسط صرف نظر شود. ($g = 10 \frac{m}{s}$)



(۱) ۰

(۲) ۲۰

(۳) ۳۰

(۴) ۵۰

۶۵- جسمی به جرم m وقتی از مبدأ حرکتش در راستای x می‌گذرد دارای تندی V_0 است. یک نیروی تأخیری با معادله

$F_x = -Ax$ که در آن $(A > 0)$ به آن وارد می‌شود. وقتی جسم متوقف می‌شود، مقدار x کدام مورد است؟

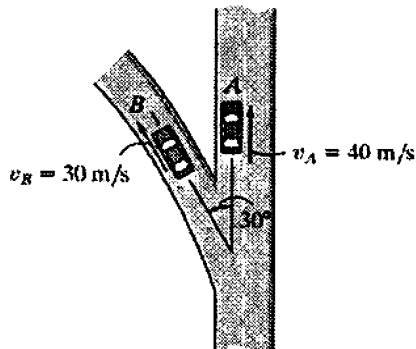
(۱) $\frac{V_0}{A} \sqrt{\frac{m}{2}}$

(۲) $\frac{V_0}{2} \sqrt{\frac{m^2}{A}}$

(۳) $V_0 \sqrt{\frac{m}{A}}$

(۴) $\frac{V_0}{2} \sqrt{\frac{m}{A}}$

۶۶- در لحظه نشان داده شده، خودروهای A و B به ترتیب با سرعت‌های ۴۰ و $30 \frac{m}{s}$ در جهت‌های نشان داده شده در حال حرکت هستند. بردار سرعت خودرو B نسبت به خودرو A، چند متر بر ثانیه است؟



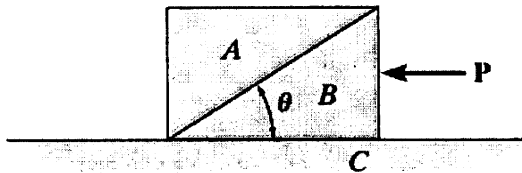
$$\frac{V_B}{A} = -40i + 30j \quad (1)$$

$$\frac{V_B}{A} = -15i - 14j \quad (2)$$

$$\frac{V_B}{A} = -15i + 14j \quad (3)$$

$$\frac{V_B}{A} = -30i - 40j \quad (4)$$

۶۷- در شکل داده شده، بلوک‌های A و B دارای جرم m هستند. ماکزیمم نیروی P که می‌توان به بلوک B وارد کرد به نحوی که بلوک A نسبت به بلوک B حرکت نکند کدام مورد است؟



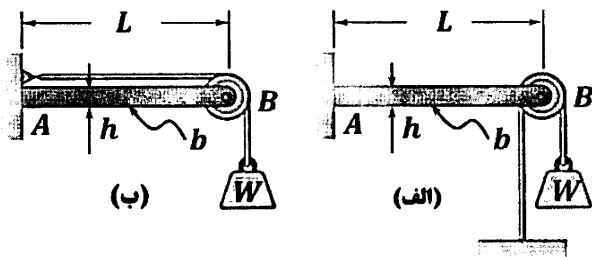
$$mg \tan \theta \quad (1)$$

$$2mg \tan \theta \quad (2)$$

$$3mg \tan \theta \quad (3)$$

$$4mg \tan \theta \quad (4)$$

۶۸- در بارگذاری روبه‌رو سطح مقطع تیر AB به شکل مستطیل با ابعاد $b \times h$ است. مقدار L چند برابر h باشد تا بیشینه تنش کششی در تیر (الف) برابر بیشینه تنش فشاری در تیر (ب) باشد؟



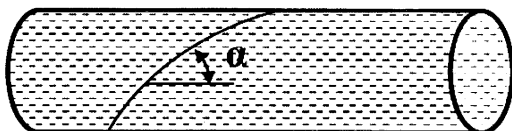
$$\frac{2}{3} \quad (1)$$

$$\frac{1}{2} \quad (2)$$

$$\frac{1}{6} \quad (3)$$

$$\frac{1}{3} \quad (4)$$

۶۹- لوله جدار نازکی به قطر ۵۰۰ mm و ضخامت جداره ۱۰ mm و فشار داخلی ۴ MPa، طوری مهار شده که تنشی در جهت طولی ندارد. مقدار تنش عمودی تحت زاویه $\alpha = 30^\circ$ چند مگاپاسکال است؟



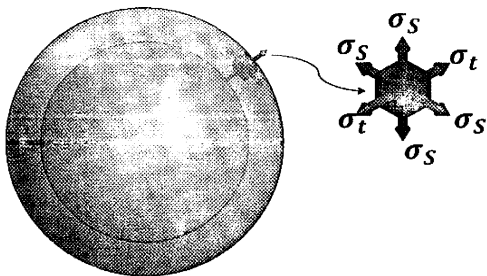
$$50 \quad (1)$$

$$75 \quad (2)$$

$$100 \quad (3)$$

$$125 \quad (4)$$

۷۰- کدام رابطه تغییر ضخامت یک مخزن جدار نازک را تحت فشار P بیان می‌کند؟
 « E مدول یانگ، t ضخامت، r شعاع و ν ضریب پواسون مخزن هستند.»



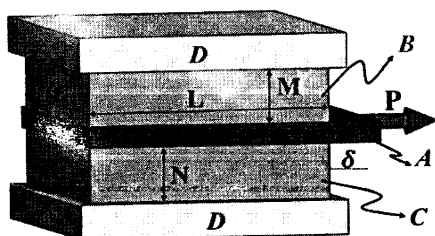
$$-\nu \frac{Pr}{tE} \quad (1)$$

$$\frac{Pr}{tE} \quad (2)$$

$$-\nu \frac{Pr}{2tE} \quad (3)$$

$$\frac{Pr}{2tE} \quad (4)$$

۷۱- در ضربه گیر نشان داده شده قطعه صلب A از دو طرف به وسیله دو قطعه لاستیکی B و C با عرض W ، طول L و ضخامت‌های M و N مهار شده است. اگر $M = \frac{N}{\gamma}$ و بیشینه تنش برشی وارده به قطعات B و C با هم برابر باشد، مقدار $\frac{G_B}{G_C}$ چقدر است؟ (G مدول برشی است.)



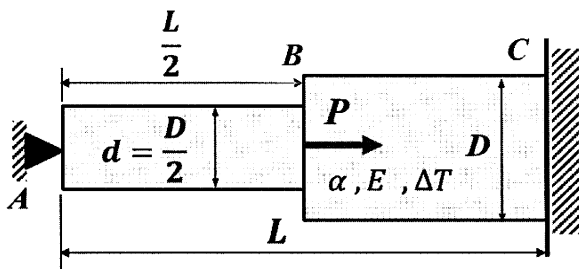
$$\sqrt{2} \quad (1)$$

$$\frac{1}{\sqrt{2}} \quad (2)$$

$$2 \quad (3)$$

$$\frac{1}{2} \quad (4)$$

۷۲- میله‌ای مطابق شکل بین دو تکیه‌گاه صلب قرار گرفته و نیروی P به آن وارد می‌شود. اگر در اثر تغییر دما به اندازه ΔT نقطه B از تیر تغییر مکانی نداشته باشد، نیروی عکس‌العمل تکیه‌گاه A چند برابر ΔT خواهد بود؟



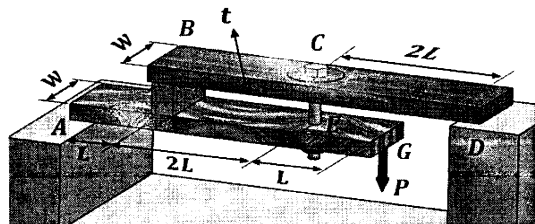
$$\frac{\alpha \pi E D^2}{2} \quad (1)$$

$$\frac{\alpha \pi E D^2}{16} \quad (2)$$

$$\frac{\alpha \pi E D^2}{8} \quad (3)$$

$$\frac{\alpha \pi E D^2}{32} \quad (4)$$

۷۳- اگر در بارگذاری روبه‌رو مقدار نیروی کششی وارده به پیچ C با قطر d برابر $\frac{\lambda}{\delta} P$ باشد، کدام مورد بیشینه تنش خمشی تیر چوبی BCD را بیان می‌کند؟



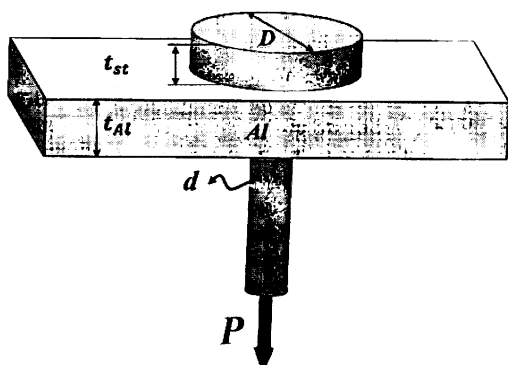
$$\frac{48 PL}{\delta (w-d) t^2} \quad (1)$$

$$\frac{24 PL}{\delta (w-d) t^2} \quad (2)$$

$$\frac{8 PL}{\delta w t^2} \quad (3)$$

$$\frac{32 PL}{w t^2} \quad (4)$$

۷۴- قلاب فولادی (st) مطابق شکل روی صفحه آلومینیومی (Al) نصب شده است. و تحت بار کششی P قرار گرفته است. نسبت تنش برشی فولاد به تنش برشی آلومینیوم در این بارگذاری چقدر است؟



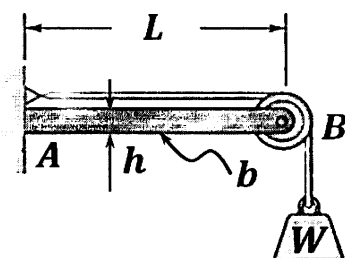
$$\frac{t_{st}}{t_{Al}} \quad (1)$$

$$\frac{t_{Al}}{t_{st}} \quad (2)$$

$$\frac{dt_{st}}{Dt_{Al}} \quad (3)$$

$$\frac{Dt_{Al}}{dt_{st}} \quad (4)$$

۷۵- در بارگذاری زیر، سطح مقطع تیر AB به شکل مستطیل با ابعاد $b \times h$ است. مقدار L چقدر باشد تا به تیر



تنش کششی وارد نشود؟

$$\leq \frac{h}{6} \quad (1)$$

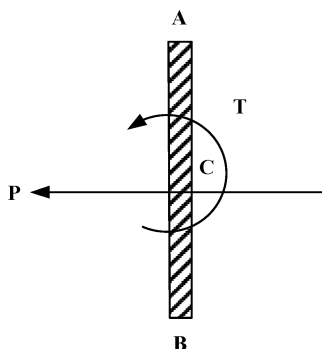
$$\geq \frac{h}{6} \quad (2)$$

$$\leq \frac{h}{3} \quad (3)$$

$$\geq \frac{h}{3} \quad (4)$$

طراحی اجزای ماشین و طراحی ماشین‌های کشاورزی:

۷۶- جوشی مطابق شکل زیر، تحت اثر تنش مستقیم P و تنش در اثر T، می‌باشد. حداکثر تنش در کدام نقطه است؟



A (1)

B (2)

C (3)

C و B (4)

۷۷- در طراحی خار، برای شفت چه تنش‌هایی در خار بررسی می‌شوند؟

(1) کششی

(2) برشی و فشاری

(3) برشی

(4) فشاری

۷۸- در طراحی شفت، کدام مقطع، تحمل تنش برشی بیشتری دارد؟ (مساحت مقطع همه شفت‌ها یکی است.)

(1) مقطع مستطیل

(2) مقطع مربع

(3) دایره توپر

(4) دایره توخالی

۷۹- در تسمه V هر چه پولی کوچک‌تر باشد، نیرو خمشی و نیروی گریز از مرکز می‌یابد.

(1) افزایش - کاهش

(2) کاهش - افزایش

(3) کاهش - کاهش

(4) افزایش - افزایش

۸۰- در اتصال دو شفت به همدیگر از دو فلنج استفاده شده که با پیچ شش به همه متصل شده‌اند. ضریب اطمینان

پیچ در مقابل تحمل تنش شش است. حداقل تعداد پیچی که می‌توانیم استفاده کنیم چند عدد است؟

- (۱) ۲ (۲) ۳ (۳) ۴ (۴) ۵

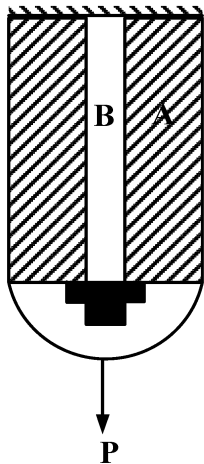
۸۱- سرعت دورانی شفت‌ها، همیشه باید از سرعت بحرانی پایه باشد.

- (۱) برابر (۲) کمتر یا بیشتر
(۳) کمتر (۴) بیشتر

۸۲- قطعه A توسط پیچ B، به قسمت بالایی بسته شده است، اگر پیچ را یک دور سفت کنیم. قطعه و پیچ

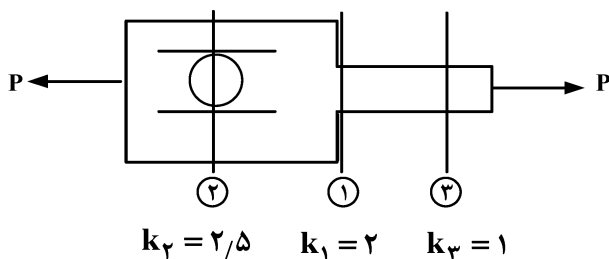
..... می‌شود.

- (۱) فشرده - کشیده
(۲) فشرده - فشرده
(۳) کشیده - فشرده
(۴) کشیده - کشیده



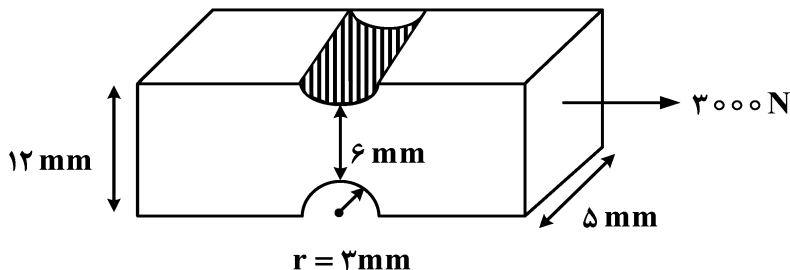
۸۳- حداکثر تنش در کدام مقطع است؟ (مساحت مقاطع ۱، ۲ و ۳ و ضریب تمرکز تنش در مقاطع $K_1 = 2$ و $K_2 = 2/5$ و $K_3 = 1$)

($K_3 = 1$)



- (۱) ۲
(۲) ۱
(۳) ۳
(۴) ۱ و ۲

۸۴- در شکل زیر، تنش حداکثر از رابطه $\sigma = K \frac{P}{A}$ محاسبه می‌شود، تنش حداکثر چقدر است؟ (ضریب تمرکز تنش $k = 2$)



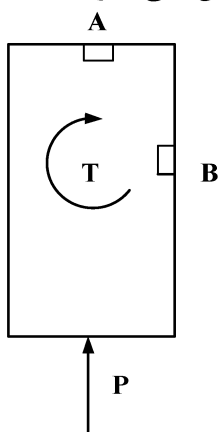
- (۱) ۵۰
(۲) ۱۰۰
(۳) ۱۵۰
(۴) ۲۰۰

۸۵- نیروی کشش در یک سیستم انتقال تسمه‌ای ۱۰۰۰ N است، اگر ضریب اطمینان را ۲ در نظر بگیریم و کشش

مجاز تسمه ۵۰۰ N باشد، چند تسمه برای انتقال توان مورد نیاز است؟

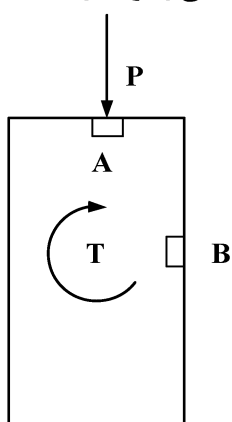
- (۱) ۱ (۲) ۲ (۳) ۳ (۴) ۴

۸۶- در شکل زیر، مقطع یک شفت مستطیلی، تحت پیچش T و نیروی P است، در المان B چه تنش‌هایی وجود دارد؟



- (۱) تنش فشاری در اثر نیروی P
- (۲) تنش برشی در اثر نیروی P
- (۳) تنش برشی در اثر پیچش و نیروی P
- (۴) تنش برشی در اثر پیچش

۸۷- شکل زیر مقطع یک شفت مستطیلی، تحت پیچش T و نیروی P است، در المان A چه تنش‌هایی وجود دارد؟



- (۱) تنش برشی حاصل از نیروی P
- (۲) تنش کششی
- (۳) تنش فشاری
- (۴) تنش برشی در اثر پیچش

۸۸- کدام مورد در خصوص یک چهار شاخ گردان مورد استفاده در ماشین‌های کشاورزی، درست است؟

- (۱) سرعت محور خروجی (گردانیده)، متناسب با زاویه بین محور ورودی (گرداننده) با محور خروجی (گردانیده) و همچنین سرعت محور ورودی (گرداننده) است.
- (۲) سرعت محور ورودی (گرداننده) همواره بیشتر از سرعت محور خروجی (گردانیده) است.
- (۳) سرعت محور خروجی (گردانیده) همواره بیشتر از سرعت محور ورودی (گرداننده) است.
- (۴) سرعت محور ورودی (گرداننده) همواره برابر با سرعت محور خروجی (گردانیده) است.

۸۹- حداکثر گشتاور منتقله در محور توان‌دهی تراکتورها (PTO) به کدام یک از عوامل بستگی دارد؟

- (۱) مقدار انرژی ذخیره‌شده در قطعات تراکتور - مقدار گشتاور لختی (اینرسی) قطعات دوار - توان مورد نیاز برای راه‌اندازی وسیله تحت رانش
- (۲) مقدار انرژی ذخیره‌شده در قطعات تراکتور - سرعت پیشروی تراکتور - نوع بار وارده به محور توان‌دهی
- (۳) ارتجاع‌پذیری بین قسمت‌های سنگین و دوار تراکتور - قطعات دوار وسیله تحت رانش - وزن وسیله تحت رانش
- (۴) نوع بار وارده به محور توان‌دهی - شتاب محور توان‌دهی - نوع شیار محور توان‌دهی

۹۰- اگر فشار پمپ هیدرولیک تراکتوری ۴۰ اتمسفر و شعاع جک هیدرولیک آن ۳ سانتی‌متر و طول کورس آن ۱۰ سانتی‌متر باشد، با فرض راندمان صددرصدی جک هیدرولیک، مقدار انرژی مصرفی بر حسب ژول برای

طی نمودن کورس پیستون چقدر است؟ ($\pi = ۳$ و $g = ۱۰ \frac{m}{s^2}$)

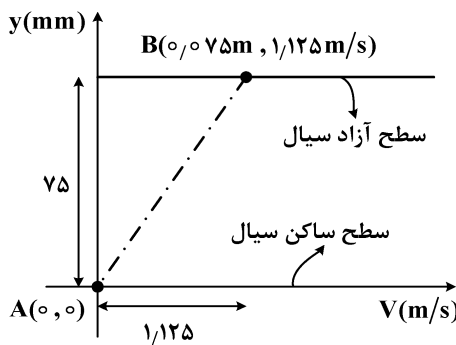
- | | |
|-----------|-----------|
| (۱) ۱۰۸۰ | (۲) ۲۱۶۰ |
| (۳) ۱۰۸۰۰ | (۴) ۲۱۶۰۰ |

- ۹۱- کدام یک از موارد نیروهای وارده بر یک وسیله خاک‌ورز را که با سرعت ثابتی کار می‌کند، نشان می‌دهد؟
 (۱) نیروی وزن - نیروی وارده از اطراف خاک بر وسیله - نیروی مؤثر بین وسیله خاک‌ورز و تراکتور
 (۲) نیروی وزن - نیروی وارده از شاسی بر خاک - نیروی کشش چرخ‌ها
 (۳) نیروی کشش چرخ‌ها - نیروی وارده از طرف خاک بر وسیله - نیروی محور توان‌دهی
 (۴) نیروی وارده از خاک بر شاسی - نیروی هیدرولیک وارده بر وسیله - نیروی مؤثر بین وسیله خاک‌ورز و تراکتور
- ۹۲- نیروی مقاومت کششی ادوات خاک‌ورز به کدام یک از عوامل بستگی دارد؟
 (۱) بافت خاک - نوع وسیله خاک‌ورز - عرض دستگاه - عمق دستگاه
 (۲) ضریب مقاومت برشی خاک - عرض دستگاه - عمق دستگاه
 (۳) عرض کار - عمق کار - ضریب مقاومت برشی خاک - طول وسیله خاک‌ورز
 (۴) عرض کار - عمق کار - ضریب مقاومت برشی خاک - سرعت پیشروی
- ۹۳- کل مقاومت کششی یک گاوآهن برگردان‌دار چهار خیشه با ۴۰ سانتی‌متر عرض کار هر خیش و در عمق کار ۲۰ سانتی‌متری، برابر ۳۲ کیلونیوتن می‌باشد. ضریب مقاومت کششی گاوآهن بر حسب نیوتن بر سانتی‌متر مربع چقدر است؟
 (۱) ۱۰
 (۲) ۲۰
 (۳) ۴۰
 (۴) ۲۰۰
- ۹۴- سرعت پیشروی یک بذر کار ذرت $7/2$ کیلومتر در ساعت فرض می‌شود، فاصله موزع صفحه‌ای از کف شیار کشت بذر برابر نیم‌متر می‌باشد. می‌خواهیم ردیف کار را به‌گونه‌ای طراحی کنیم که فاصله بین دو بوته بر روی یک ردیف ۱۲ سانتی‌متر باشد. با صرفه‌نظر کردن از اصطکاک بذر درون لوله سقوط و با فرض ضریب پرشده‌گی صددرصدی سلول‌های موزع بذر و همچنین وجود ۱۰ عدد سلول بذرگیر بر روی محیط این موزع صفحه‌ای، سرعت دوران صفحه موزع چند دور در دقیقه باید باشد؟ ($\pi = 3$ و $g = 10 \frac{m}{s^2}$)
 (۱) ۱۰
 (۲) ۲۰
 (۳) ۳۰
 (۴) ۴۰
- ۹۵- کدام یک از موارد به درجه ذره‌سازی سمپاش‌ها وابستگی دارد؟
 (۱) کشش سطحی - لزوجت سم
 (۲) ضریب حجمی - لزوجت
 (۳) دمای سم - غلظت سم
 (۴) نوع سم - تراکم‌پذیری سم
- ۹۶- یک سمپاش مزرعه‌ای با تیر افشانک افقی و دارای ۲۰ افشانک به فاصله $0/5$ متر از یکدیگر وجود دارد. قرار است طراحی سمپاش برای حداکثر ۱۰۰۰ لیتر در هکتار و در فشار ۵۰۰ کیلوپاسکال و با سرعت پیشروی $7/2$ کیلومتر در ساعت مدنظر باشد. با فرض برگشت ده درصد دبی به مخزن برای همزدن مایع سم، مقدار دبی پمپ سمپاش بر حسب لیتر بر دقیقه چقدر باید باشد؟
 (۱) $6/6$
 (۲) $7/2$
 (۳) ۴۰
 (۴) ۱۳۲
- ۹۷- در یک مزرعه علوفه عملکرد محصول ۸ تن در هکتار است. برای برداشت محصول از یک چاپر با عرض کار ۱ متر و سرعت پیشروی $7/2$ کیلومتر بر ساعت استفاده می‌کنیم. دبی علوفه ورودی به چاپر چند کیلوگرم بر ثانیه است؟
 (۱) $1/6$
 (۲) $3/2$
 (۳) $7/2$
 (۴) $12/8$

- ۹۸- در بیلرها (مکعب بندها)، کدام یک از موارد، در نیروی وارده از طرف پیستون به علوفه مؤثر است؟
- (۱) رطوبت علوفه - تیزی چاقوی برش - سرعت ضربه زنی پیستون
 - (۲) اینرسی چرخ طیار (فلای ویل) - توان محور توان دهی (پی تی او) - تیزی چاقوی برش
 - (۳) عرض فضای بسته بندی - ضریب اصطکاک علوفه با علوفه - نیروی وارده از طرف چنگال ها
 - (۴) ابعاد فضای بسته بندی - ضریب اصطکاک علوفه با دیواره فضای بسته بندی - طول کورس فضای بسته بندی
- ۹۹- توان مصرفی استوانه برش چا پر ها به چه عواملی بستگی دارد؟
- (۱) سرعت استوانه های هادی - تیزی تیغه دماغه برش - تراکم محصول
 - (۲) نسبت نیروی برشی ویژه - نیروی برش بیشینه - دبی تغذیه - جرم مخصوص علوفه در دهانه برش
 - (۳) سرعت تیغه های دماغه - نیروی فشردگی علوفه - دبی تغذیه - جرم مخصوص علوفه در دماغه برش
 - (۴) سرعت دوران استوانه - تعداد تیغه استوانه برش - سرعت پیشروی چا پر
- ۱۰۰- مطابق تئوری جریان مواد در بخش جدایش کمباین ها، دبی جریان دانه تابع کدام یک از کمیت ها است؟
- (۱) دبی جریان ورودی از واحد نقاله - سرعت نقاله - سرعت کوبنده - فاصله کوبنده از ضد کوبنده
 - (۲) سرعت غربال ها - دامنه نوسان غربال ها - فاصله کوبنده تا ضد کوبنده - سرعت کوبنده
 - (۳) تراکم دانه در ابتدا و انتهای غربال ها - مساحت غربال ها - طول بخش نفوذ دانه درون مواد کوبیده شده
 - (۴) سرعت کوبنده - سرعت فن - زاویه جهت جریان فن

مکانیک سیالات و ترمودینامیک:

- ۱۰۱- در شکل داده شده، اگر ویسکوزیته سیال 0.04 Pa.s ، چگالی نسبی 0.193 و پروفیل سرعت خطی باشد، مقدار تنش برشی در نقاط $y = 0 \text{ mm}$ و $y = 75 \text{ mm}$ به ترتیب، چند پاسکال است؟ (معادله پروفیل سرعت



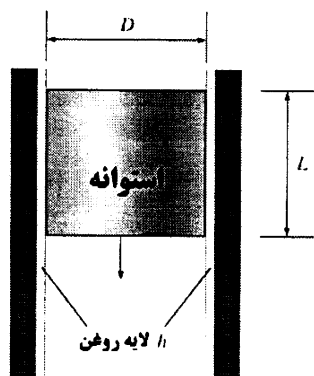
$$v = ay + b \text{ (است.)}$$

- (۱) 0.3 و 0.3
- (۲) 0.6 و 0.6
- (۳) 0.6 و 0
- (۴) 0 و 0.6

- ۱۰۲- یک ظرف استوانه ای به قطر 20 سانتی متر و ارتفاع 60 سانتی متر با آب تا ارتفاع 50 سانتی متر که چگالی آن 1000 کیلوگرم بر متر مکعب است پر شده است. بیشینه سرعت ثابت دورانی برای چرخش ظرف یک به گونه ای که مایع از لبه های آن بیرون نریزد، چند رادیان بر ثانیه است؟ (شتاب گرانش را 10 متر بر مجذور ثانیه در نظر بگیرید.)

- (۱) 2
- (۲) 10
- (۳) 20
- (۴) 100

۱۰۳- استوانه‌ای به جرم m ، در لوله‌ای عمودی که سطح داخلی آن با لایه روغن به ضخامت h پوشیده شده است. از حالت سکون به پایین می‌لغزد. اگر قطر و ارتفاع استوانه به ترتیب D و L باشند، در کدام مورد، سرعت استوانه به عنوان تابعی از زمان (t) را ارائه می‌کند؟



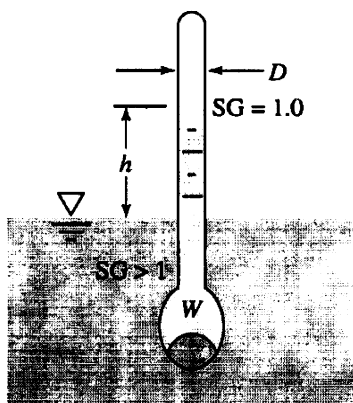
$$\frac{mgh}{\mu\pi DL} \left(1 + e^{-\frac{\mu\pi DL}{mh}t} \right) \quad (1)$$

$$\frac{mgh}{\mu\pi DL} \left(1 + e^{-\frac{\mu\pi DL}{mgh}t} \right) \quad (2)$$

$$\frac{mgh}{\mu\pi DL} \left(1 - e^{-\frac{\mu\pi DL}{mgh}t} \right) \quad (3)$$

$$\frac{mgh}{\mu\pi DL} \left(1 - e^{-\frac{\mu\pi DL}{mh}t} \right) \quad (4)$$

۱۰۴- در هیدرومتر نشان‌دهنده که وسیله‌ای برای اندازه‌گیری وزن مخصوص مایعات است. قطر لوله D بوده و وزنه W در انتهای آن پایداری ایجاد می‌کند. اگر هیدرومتر در آب خالص ($SG = 1$) قرار داده شود، ارتفاع برابر صفر است. کدام فرمول، رابطه ارتفاع بر حسب D ، W ، گرانش ویژه مایع مورد آزمایش و وزن مخصوص آب (γ) را ارائه می‌کند؟



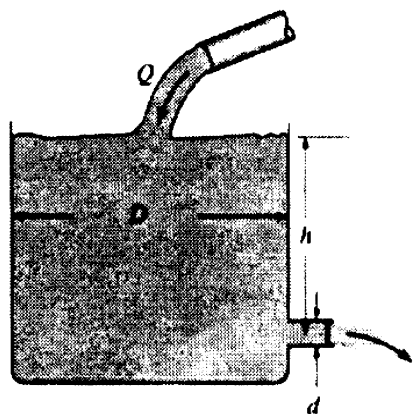
$$\frac{4W(SG - 1)}{\pi SG \gamma D^2} \quad (1)$$

$$\frac{W(SG - 1)}{\pi SG \gamma D^2} \quad (2)$$

$$\frac{W(SG - 1)}{2\pi SG \gamma D^2} \quad (3)$$

$$\frac{2W(SG - 1)}{\pi SG \gamma D^2} \quad (4)$$

۱۰۵- کدام مورد رابطه دبی ورودی به مخزن استوانه‌ای نشان‌دهنده در شکل زیر، را نشان می‌دهد؟



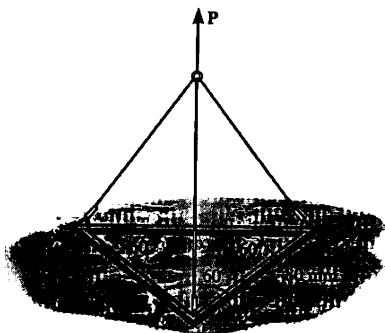
$$\frac{\pi d^2}{4} \sqrt{\frac{gH}{1 - \left(\frac{d}{D}\right)^4}} \quad (1)$$

$$4\pi d^2 \sqrt{\frac{2gH}{1 - \left(\frac{d}{D}\right)^4}} \quad (2)$$

$$\frac{\pi d^2}{4} \sqrt{\frac{2gH}{1 - \left(\frac{d}{D}\right)^4}} \quad (3)$$

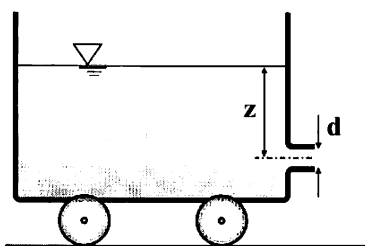
$$4d^2 \sqrt{\frac{3gH}{1 - \left(\frac{d}{D}\right)^4}} \quad (4)$$

۱۰۶- جرم مثلث نشان داده شده در شکل، ۵۰ گرم است. چنانچه قطر میله‌ها ۲ میلی‌متر و کشش سطحی ۰/۱ نیوتن بر متر باشند، مقدار نیروی لازم برای جدا کردن مثلث از سطح سیال چند نیوتن است؟ (شتاب، گرانش را ۱۰ متر بر مجذور ثانیه و π را ۳ در نظر بگیرید؟)



- (۱) ۰/۵۱۸
(۲) ۰/۵۰۰
(۳) ۰/۵۰۸
(۴) ۰/۵۱۶

۱۰۷- توان تولید شده به وسیله جریان سیال در چرخ دستی نشان داده شده چند وات است؟ (ارتفاع آب (z)، ۲۰ سانتی‌متر قطر لوله خروجی آب ۲ سانتی‌متر و سرعت حرکت چرخ ۰/۵ متر بر ثانیه هستند. چگالی آب ۱۰۰۰ کیلوگرم بر مترمکعب، شتاب گرانش را ۱۰ متر بر مجذور ثانیه و π را ۳ در نظر بگیرید.)



- (۱) ۰/۱
(۲) ۰/۶
(۳) ۰/۹
(۴) ۱/۲

۱۰۸- کدام مورد رابطه گرانش ویژه یک جسم را صرفاً با داشتن وزن آن در هوا (w_w) ارائه می‌کند؟

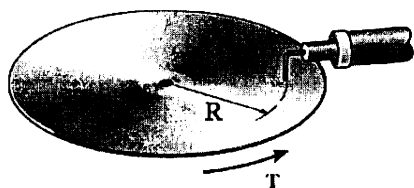
$$\frac{W_a}{W_a - W_w} \quad (۲) \quad \frac{W_w}{W_a - W_w} \quad (۱)$$

$$\frac{W_w}{W_a + W_w} \quad (۴) \quad \frac{W_a}{W_a + W_w} \quad (۳)$$

۱۰۹- مکعب مربعی چوبی، به ابعاد ۳۰ سانتی‌متر با چگالی ۹۰۰ کیلوگرم بر مترمکعب روی آب با چگالی ۱۰۰۰ کیلوگرم بر مترمکعب شناور است. چند درصد از این جسم در آب قرار ندارد؟

- (۱) ۱۰
(۲) ۱۵
(۳) ۲۴
(۴) ۲۷

۱۱۰- نوک ابزار خواندن اطلاعات از یک لوح فشرده، مساحتی برابر A دارد. اگر فاصله قرارگیری از سطح لوله h، سرعت دورانی لوح فشرده ω و لزجت هوا μ باشند، گشتاور لازم برای غلبه بر مقاومت هوا بین سطح لوح و نوک ابزار در کدام مورد آمده است؟



$$\frac{4\mu AR^2\omega}{h} \quad (۱)$$

$$\frac{\mu AR^2\omega}{2h} \quad (۲)$$

$$\frac{2\mu AR^2\omega}{h} \quad (۳)$$

$$\frac{\mu AR^2\omega}{h} \quad (۴)$$

۱۱۱- کدام مورد، زاویه تماسی خیس شدن یا نشدن سطح یک جسم، با سیال را نشان می‌دهد؟

- (۱) $> 30^\circ$ (۲) $> 45^\circ$
(۳) $> 90^\circ$ (۴) $> 120^\circ$

۱۱۲- آسیب کاویتاسیون، در کدام قسمت پره یک پمپ رخ می‌دهد؟

- (۱) نزدیک خروجی در سمت مقعر تیغه‌ها (۲) نزدیک خروجی در سمت محدب تیغه‌ها
(۳) نزدیک ورودی در سمت مقعر تیغه‌ها (۴) نزدیک ورودی در سمت محدب تیغه‌ها

۱۱۳- مقدار ۲ کیلوگرم مخلوط مایع و بخار آب، در تانکی به حجم 0.052 متر مکعب قرار دارد. اگر در دما و فشار تانک، مقادیر حجم مخصوص مایع و بخار به ترتیب برابر با 0.001 و 0.031 متر مکعب بر کیلوگرم باشند، کیفیت مخلوط چقدر است؟

- (۱) $\frac{3}{5}$ (۲) $\frac{5}{6}$
(۳) $\frac{1}{2}$ (۴) $\frac{3}{4}$

۱۱۴- یک اجاق الکتریکی کاملاً عایق شده، توسط المان حرارتی در حال گرم شدن است. چنانچه در حالت اول تمام اجاق به همراه المان حرارتی و در حالت دوم تنها هوای داخل اجاق بدون المان حرارتی به‌عنوان سیستم در نظر گرفته شوند، نوع انتقال انرژی به ترتیب کدام است؟

- (۱) کار - انتقال حرارت (۲) کار - کار
(۳) انتقال حرارت - انتقال حرارت (۴) انتقال حرارت - کار

۱۱۵- اگر از یک یخچال با ضریب عملکرد ۳، به‌عنوان پمپ حرارتی استفاده شود، ضریب عملکرد آن چقدر است؟

- (۱) ۲ (۲) ۳
(۳) ۴ (۴) ۵

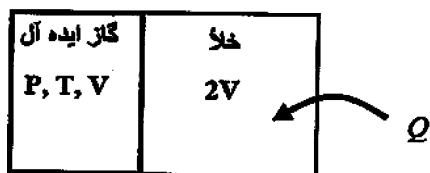
۱۱۶- دو ورقه آهنی با جرم یکسان m و گرمای ویژه C یکی با دمای T و دیگری با دمای $2T$ در تماس با یکدیگر قرار داده می‌شوند. مقدار آنتروپی تولید شده پس از تعادل حرارتی در کدام مورد آمده است؟

- (۱) $mC \left[\ln\left(\frac{4}{3}\right) \right]$ (۲) $mC \left[\ln\left(\frac{8}{9}\right) \right]$
(۳) $mC \left[\ln\left(\frac{3}{4}\right) \right]$ (۴) $mC \left[\ln\left(\frac{9}{8}\right) \right]$

۱۱۷- یک بالون از گاز ایده‌آل به جرم m در دمای T_1 و فشار P_1 پر شده است. بالون را گرم می‌کنیم تا حجم آن دو برابر شده و دمای آن برابر با T_2 شود. اگر فشار بالون متناسب با مربع قطر آن باشد، کار انجام شده طی این فرایند در کدام مورد آمده است؟ (R ثابت جهانی گازها است.)

- (۱) $\frac{5}{3}mR(T_2 - T_1)$ (۲) $\frac{3}{5}mR(T_2 - T_1)$
(۳) $\frac{2}{3}mR(T_2 - T_1)$ (۴) $\frac{3}{2}mR(T_2 - T_1)$

۱۱۸- در شکل داده شده، اگر غشای بین دو مخزن برداشته شده و گاز گرم شود، تا به همان فشار اولیه برسد، دمای ثانویه گاز کدام مورد خواهد بود؟



$$(1) 2T$$

$$(2) 3T$$

$$(3) 4T$$

$$(4) 5T$$

۱۱۹- اگر دمای هوای خروجی از یک شیبوره (نازل)، یک چهارم دمای ورودی (T_i) باشد، و سرعت اولیه و تلفات حرارتی ناچیز باشند، سرعت خروجی کدام گزینه خواهد بود؟ (C_p گرمای ویژه در فشار ثابت است).

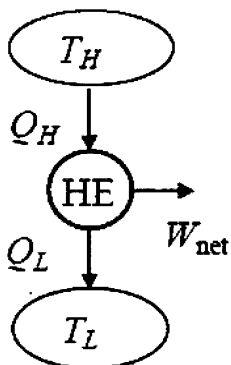
$$(1) \left(\frac{1}{2}C_p T_i\right)^{\frac{1}{2}}$$

$$(2) \left(\frac{2}{3}C_p T_i\right)^{\frac{1}{2}}$$

$$(3) \left(\frac{3}{2}C_p T_i\right)^{\frac{1}{2}}$$

$$(4) \left(\frac{1}{3}C_p T_i\right)^{\frac{1}{2}}$$

۱۲۰- اگر بخواهیم بازده ماشین حرارتی کارنو (شکل داده شده)، را فقط با تغییر دمای T_H دو برابر کنیم، دمای T_H مطابق کدام مورد، خواهد بود؟



$$(1) \frac{T_H \cdot T_L}{T_H - 2T_L}$$

$$(2) \frac{T_H \cdot T_L}{T_H - T_L}$$

$$(3) \frac{T_H \cdot T_L}{2T_H - T_L}$$

$$(4) \frac{2T_H \cdot T_L}{T_H - T_L}$$

۱۲۱- یک گاز را در یک سیستم بسته و طی یک فرایند از شرایط اولیه فشار P_1 و دمای T_1 تا فشار ثانویه P_2 به صورت همدمتا متراکم می‌کنیم. کدام مورد در خصوص فرایند انجام شده درست است؟

- (۱) به سیستم گرما داده می‌شود.
 (۲) انرژی داخلی گاز تغییر نمی‌کند.
 (۳) آنتروپی گاز افزایش می‌یابد.
 (۴) انرژی داخلی گاز احتمالاً افزایش می‌یابد.

۱۲۲- کدام مورد، در رابطه با قانون دوم ترمودینامیک، درست است؟

- (۱) تغییرات آنتروپی یک فرایند همیشه منفی است.
 (۲) آنتروپی جهت تغییرات یک فرایند را مشخص می‌کند.
 (۳) آنتروپی یک سیستم بسته آدیاباتیکی طی یک فرایند خود به خود کاهش می‌یابد.
 (۴) مشابه کار، آنتروپی یک خاصیت ترمودینامیکی است که به مسیر انجام یک فرایند بستگی دارد.

۱۲۳- با افزایش فشار یک سیال خالص دو فازی (مایع - بخار)، در یک سیستم بسته و حجم ثابت، کدام مورد همواره برقرار است؟

- (۱) دمای سیال افزایش می‌یابد.
 (۲) کیفیت سیال کاهش می‌یابد.
 (۳) کیفیت سیال افزایش می‌یابد.
 (۴) دمای سیال کاهش می‌یابد.

۱۲۴- به مخلوطی از دو فاز مایع و بخار آب در یک ظرف صلب و بسته حرارت داده می‌شود. طی این فرایند، کدام مورد اتفاق می‌افتد؟

(۱) مقدار مایع زیاد می‌شود.

(۲) مقدار بخار زیاد می‌شود.

(۳) اگر حجم مخصوص از مقدار بحرانی کمتر باشد، مقدار مایع زیاد می‌شود.

(۴) تغییر آنتالپی با تغییر انرژی داخلی برابر است.

۱۲۵- مخترعی ادعا می‌کند که یک ماشین گرمایی ساخته است، که ۲۵ کیلووات انرژی را در دمای ۴۰۰ کلوین گرفته و ۱۰۰۰۰ ژول بر ثانیه در دمای ۳۰۰ کلوین به منبع سرد می‌دهد و ۱۵ کیلووات توان مکانیکی مفید تولید می‌کند. آیا ادعای او درست است؟

(۱) خیر، زیرا بازده آن از بازده ماشین کارنو بیشتر است.

(۲) بله، زیرا توان آن از توان ماشین کارنو کمتر است.

(۳) بله، زیرا بازده آن از بازده ماشین کارنو کمتر است.

(۴) بله، زیرا اتلاف انرژی آن از ماشین کارنو بیشتر است.

ابزار اندازه‌گیری:

۱۲۶- اگر ولتاژ خروجی (میکرو ولت) ترموکوپل مس - کنستانتان بر حسب دما با معادله داده شده بیان شود و در دماهای صفر و ۴۰۰ درجه سلسیوس، مقادیر ولتاژ خروجی به ترتیب برابر صفر و ۲۰۰۰۰ میکروولت باشند. خطای خطی سازی معادله مذکور کدام است؟

$$E(T) = 38.74T + 3.319 \times 10^{-2} T^2 + 2.071 \times 10^{-4} T^4 + \dots$$

$$-3.319 \times 10^{-2} T^2 + 2.071 \times 10^{-4} T^4 + \dots \quad (۱)$$

$$-17.32T - 3.319 \times 10^{-2} T^2 - 2.071 \times 10^{-4} T^4 - \dots \quad (۲)$$

$$50T - 3.319 \times 10^{-2} T^2 - 2.071 \times 10^{-4} T^4 - \dots \quad (۳)$$

$$-11.26T + 3.319 \times 10^{-2} T^2 + 2.071 \times 10^{-4} T^4 + \dots \quad (۴)$$

۱۲۷- تفاوت **Span** و **Range** در اندازه‌گیری چیست؟

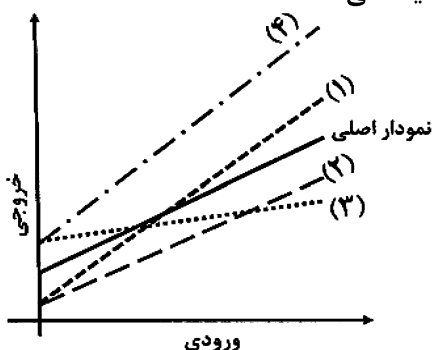
(۱) **Span** محدوده ابتدای یک بازه و **Range** طول آن را مشخص می‌کند.

(۲) **Range** محدوده ابتدای یک بازه و **Span** طول آن را مشخص می‌کند.

(۳) **Span** محدوده ابتدای و انتهای یک بازه و **Range** طول آن بازه است.

(۴) **Range** محدوده ابتدای و انتهای یک بازه و **Span** طول آن بازه است.

۱۲۸- اثرات محیطی، باعث کاهش حساسیت و افزایش بایاس داده‌های خروجی یک ابزار اندازه‌گیری شده است. کدام نمودار در شکل زیر این تغییرات را نسبت به نمودار اصلی توصیف می‌کند؟



(۱)

(۲)

(۳)

(۴)

۱۲۹- کدام مورد، برای کاهش خطای بارگذاری ابزار اندازه‌گیری با سیگنال ولتاژ، درست است؟

- (۱) امپدانس خروجی سیگنال بالا و امپدانس ورودی ابزار اندازه‌گیری پایین باشد.
- (۲) امپدانس خروجی سیگنال پایین و امپدانس ورودی ابزار اندازه‌گیری بالا باشد.
- (۳) امپدانس خروجی سیگنال بالا و امپدانس ورودی ابزار اندازه‌گیری بالا باشد.
- (۴) امپدانس خروجی سیگنال پایین و امپدانس ورودی ابزار اندازه‌گیری پایین باشد.

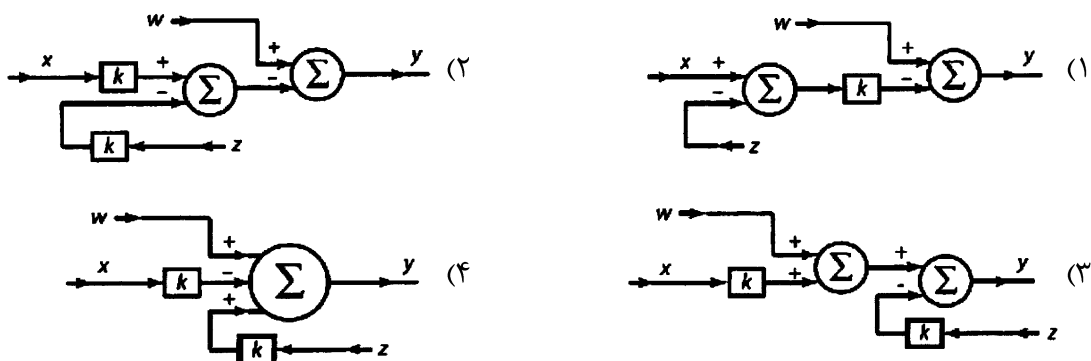
۱۳۰- مبدل‌ها از کدام اصول برای تبدیل استفاده می‌کنند؟

- (۱) خازنی - پیزوالکتریک - القایی
- (۲) پتانسیومتری - افزایش - مقاومت
- (۳) کاهش - خازنی - فیلتراسیون
- (۴) پیزوالکتریک - القایی - شمارشگر

۱۳۱- کدام مورد، در رابطه با کرنش‌سنج‌ها، درست است؟

- (۱) فاکتور گیج بالا، حساسیت را افزایش می‌دهد.
- (۲) ضریب دمایی کمتر و نبود هیستریزیس، دقت را کاهش می‌دهد.
- (۳) برای اندازه‌گیری‌های دینامیکی، در کل گستره فرکانسی خروجی خطی است.
- (۴) مقاومت زیاد کرنش‌سنج، تأثیر تغییرات مقاومت در مدار پردازش سیگنال را افزایش می‌دهد.

۱۳۲- در بلوک دیاگرام‌های نشان داده‌شده، کدام شکل با سه شکل دیگر، متفاوت است؟



۱۳۳- کدام مورد درباره ترانسفورمرهای دیفرانسیلی تفاضلی خطی (LVDT)، درست است؟

- (۱) فرکانس اندازه‌گیری‌های دینامیکی باید کمتر از فرکانس تحریک باشد.
- (۲) از دو هسته اولیه و یک هسته ثانویه تشکیل شده است.
- (۳) ولتاژ خروجی در کل گستره اندازه‌گیری خطی است.
- (۴) از LVDT، برای اندازه‌گیری حرکت دورانی استفاده می‌شود.

۱۳۴- بهره توان یک تقویت‌کننده، کدام است؟

- (۱) $\frac{\text{توان خروجی}}{\text{توان ورودی}}$
- (۲) $\frac{\text{بهره ولتاژ}}{\text{بهره جریان}}$
- (۳) بهره جریان \times بهره ولتاژ
- (۴) $\frac{\text{بهره جریان}}{\text{بهره ولتاژ}}$

۱۳۵- خطاهای تصادفی در هر سری از اندازه‌گیری‌ها، از کدام قانون توزیع تبعیت می‌کنند؟

- (۱) نرمال
- (۲) گوسی
- (۳) تصادفی
- (۴) کای

۱۳۶- خطای ناشی از عملیات اندازه‌گیری کمیت فیزیکی چه نام دارد؟

- (۱) ابزاری
- (۲) اندازه‌گیری
- (۳) انسانی
- (۴) بارگذاری

۱۳۷- مقاومت الکتریکی یک ترمیستور با دما چگونه تغییر می‌کند؟

- (۱) در دماهای پایین افزایش و در دماهای بالا کاهش پیدا می‌کند.
- (۲) با افزایش دما افزایش پیدا می‌کند.
- (۳) با افزایش دما کاهش پیدا می‌کند.
- (۴) با تغییر دما تغییر نمی‌کند.

۱۳۸- در یک دماسنج، تغییرات ولتاژ خروجی با دما، به صورت $V_O = \alpha T^4$ است، حساسیت این دماسنج در دمای

۲ درجه سلسیوس، چند میلی‌ولت بر درجه سلسیوس است؟

- | | |
|--------------------|--------------------|
| (۱) ۱۲۸ | (۲) ۶۴ |
| (۳) $\frac{۶۴}{۵}$ | (۴) $\frac{۳۲}{۵}$ |

۱۳۹- برای یک مبدل اندازه‌گیری فشار، از نوع پل وتستون که یکی از کرنش‌سنج‌های آن بر روی یک دیافراگم نصب شده و فشار مورد نظر به دیافراگم اعمال می‌شود، ولتاژ تغذیه توصیه شده ۱۲ ولت، محدوده فشار ۲۰۰

کیلوپاسکال و خروجی پل $\frac{mV}{V/kPa}$ ۱/۰ است. حساسیت مدار در این ولتاژ توصیه شده چقدر است؟

- | | |
|--------------------------|------------------------|
| (۱) $۱۲ \frac{mV}{kPa}$ | (۲) $۲۴۰ \frac{mV}{V}$ |
| (۳) $۱/۲ \frac{mV}{kPa}$ | (۴) $۲۰ \frac{mV}{V}$ |

۱۴۰- در ماشین‌های سوراخ‌کاری عددی (CNC)، برای اندازه‌گیری مقدار حرکت زاویه‌ای (جابه‌جایی دورانی) و

مقدار سرعت زاویه‌ای به ترتیب از کدام کدکننده (Encoder) استفاده می‌شود؟

- | | |
|---------------------------------|------------------------------|
| (۱) نوری مطلق - نوری افزایشی | (۲) نوری مطلق - نوری مطلق |
| (۳) نوری افزایشی - نوری افزایشی | (۴) نوری افزایشی - نوری مطلق |

۱۴۱- مقاومت لازم برای یک صافی غیرفعال بالاگذار RC، که باید فرکانس‌های کمتر از F هرگز را صافی کند، چند

اهم است؟ (ظرفیت خازن صافی ۱ میکروفاراد است.)

- | | |
|------------------------------|---------------------------|
| (۱) $\frac{۱}{\pi F(10^6)}$ | (۲) $\frac{10^6}{\pi F}$ |
| (۳) $\frac{۱}{۲\pi F(10^6)}$ | (۴) $\frac{10^6}{۲\pi F}$ |

۱۴۲- فشارسنج بریچمن و فشارسنج پیزوالکتریک، به ترتیب بر چه اساسی کار می‌کنند؟

- | | |
|-------------------------------|--------------------------------|
| (۱) تغییر ولتاژ - تغییر جریان | (۲) تغییر مقاومت - تغییر طول |
| (۳) تولید جریان - تغییر طول | (۴) تغییر مقاومت - تولید ولتاژ |

۱۴۳- کدام مورد، دارای خاصیت emf، طی ایجاد کرنش مکانیکی در آن است؟

- | | |
|-----------------------|----------------------|
| (۱) کرنش‌سنج الکتریکی | (۲) ماده پیزوالکتریک |
| (۳) هادی فلزی | (۴) پلاستیک ترموست |

۱۴۴- پایه‌های زمانی اسیلوسکوپ، توسط کدام گزینه تولید می‌شوند؟

- | | |
|-----------------------|--------------------------------|
| (۱) تقویت‌کننده عمودی | (۲) تقویت‌کننده افقی |
| (۳) آند متمرکزکننده | (۴) سیگنال‌های ورودی همگام‌ساز |

۱۴۵- چه تعداد از جملات داده شده درست است؟

الف - LVDT یک مبدل از نوع خودراه‌انداز است.

ب - در یک پل وتستون اگر دو بازوی مجاور دارای کرنش‌های با ماهیت متفاوت باشند، خروجی پل افزایش می‌یابد.

ج - برای اندازه‌گیری دینامیکی با استفاده از کرنش‌های مقاومتی جبران دمایی لازم نیست.

د - یک مبدل پیزوالکتریک نمی‌تواند برای اندازه‌گیری کمیت‌های استاتیکی استفاده شود.

۲ (۲)

۱ (۱)

۴ (۴)

۳ (۳)

